



PROJECT		REF		REV	ITEM CODE	
LOCATION		DATE			PAGE	

SANITARY WARE SPECIFICATION SHEET

Item Descriptions	GROHE (Germany) "Zedra" Chrome plated 3/8" single-lever sink mixer with pull-out dual spray; nominated flow rate 4.7 L/min in WELS Grade 1 ; Registration No. TM 18-0050
Dimensions	L214 x W127 x H358 mm
Model	32553000
Finish / Material	Chrome Plated
Country of origin	Germany
Manufacturer	GROHE Limited
Supplier	Acme Sanitary Ware Co. Ltd Mr. Eric Wong/ Mr. Don Yuen
Contact Tel/Fax	(852) 2388-7171 / (852) 2710-8012
E-mail	acme@acmesanitary.com.hk
Website	www.acmesanitary.com.hk

Illustration/ Drawing






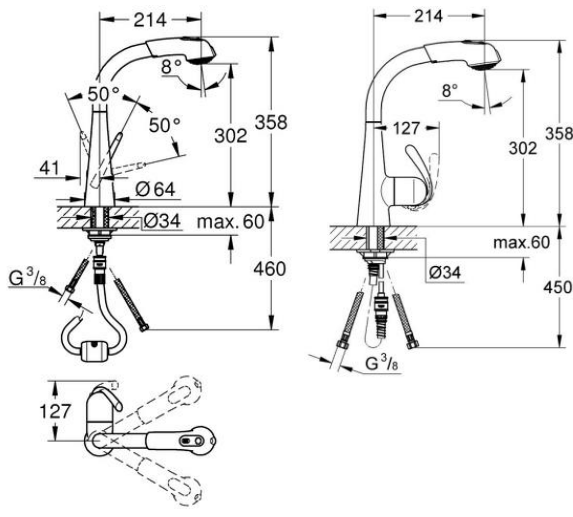



"Zedra"
Single-lever sink mixer

- monobloc installation
- **GROHE StarLight** finish
- **GROHE SilkMove** 46 mm ceramic cartridge
- pull-out dual spray control - switches between regular flow and spray
- diverter: mousseur/shower jet
- automatic return to mousseur
- adjustable flow rate limiter
- swivel tubular spout
- integrated non-return valve
- protected against backflow
- flexible connection hoses
- rapid installation system



32553SD0



Colour options:

- 000 | StarLight Chrome
- SD0 | SuperSteel

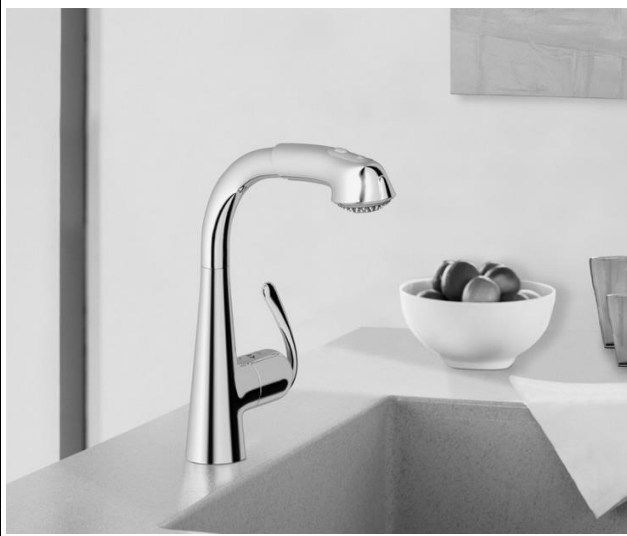
Note: [GROHE ZEDRA 32553000](https://www.youtube.com/watch?v=GdrWgieaQUk) <https://www.youtube.com/watch?v=GdrWgieaQUk>

* All information of the above is for the reference only. No prior notice is made if any changes.



PROJECT		REF		REV	ITEM CODE	
LOCATION		DATE			PAGE	

SANITARY WARE SPECIFICATION SHEET



GROHE
StarLight®

Made-to-last, scratch resistant surfaces ranging from precious matt to shiny like a diamond.

GROHE products are guaranteed to look as beautiful decades on as they did the day you first fell in love with them. The special recipe to success lies in the long-lasting surface quality: GROHE StarLight® Technology. Continuous improvement over the last 75 years has seen GROHE's unique plating process refined to produce a robust and immaculate surface that is recognised as one of the best finishes in the world. This is thanks to rigorous quality controls and ongoing investment towards manufacturing exceptional products for you to enjoy.



GROHE
SilkMove®

Smoothest handling for effortless precision and ultimate comfort for a lifetime.

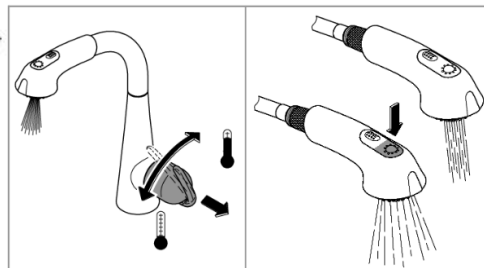
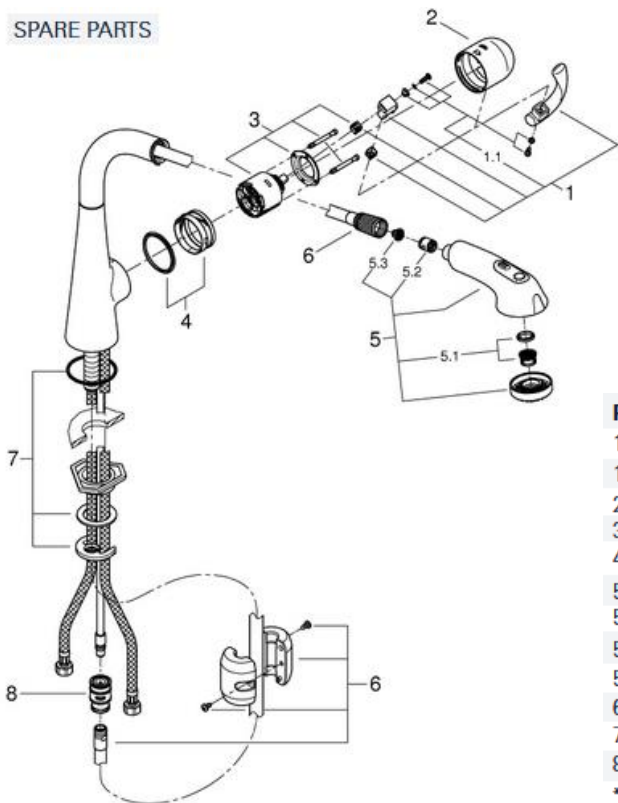
Only GROHE mixers deliver the unique GROHE SilkMove® experience. The rich, smooth handling of our single-lever mixers perfectly expresses the quality and superiority of our brand. The GROHE SilkMove® cartridge delivers gradual and precise control of the water flow and temperature.



PULL-OUT DUAL SPRAY

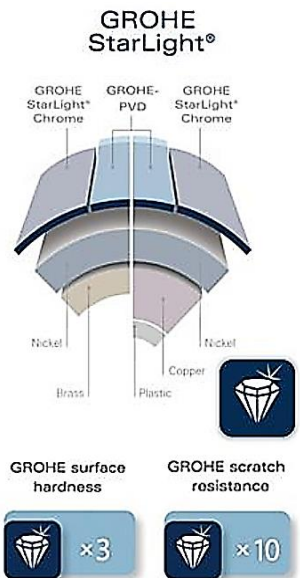
Increases operating radius of the faucet and offers easy switching between mousseur and the spray.

SPARE PARTS



Pos.-nr.	Prod. description	Order-nr.
1	Lever	46654000
1.1	Fixing set	46310000
2	Cap	46655000
3	Cartridge	46048000
4	Guide and slide ring	46632V00
5	Pull out spray	46656NC0
5.1	Mousseur	13952000
5.2	Non-return valve	08565000
5.3	Dirt strainer	0676800M
6	Shower hose	48293000
7	Shank fastening assembly	46345000
8	Coupling piece	46338000

* Optional accessories



Note:

* All information of the above is for the reference only. No prior notice is made if any changes.

註冊號碼 (Registration No.): TM 18-0050



自願參與用水效益標籤計劃 - 水龍頭
Voluntary Water Efficiency Labelling Scheme - Water Taps




茲證明
This is to certify that

將下列水龍頭在本計劃內註冊：
has registered the following water tap under this scheme :

牌子 / Brand	:	GROHE
型號 / Model	:	32553XXX + 64647040
種類 / Type	:	Mixing
原產地 / Country or Region Origin	:	Portugal

在用水效益標籤上展示的標誌

Symbolic Presentation on the Water Efficiency Label : 

滴水點

Water droplet(s)

用水效益級別

Water Efficiency Grade : 1

耗水量

Water Consumption : 4.7

公升/分鐘

litres/minute

簽發日期：
Date of Issue: 15 February 2018



水務署
Water Supplies Department



水務署署長(周世威代行)
for Director of Water Supplies



水務署
Water Supplies Department



本署
Our ref.
來函編號
Your ref.

Headquarters
告士打道七號入境事務大樓 48 樓
Information Tower, 7 Gloucester Road, Wan Chai, Hong Kong

D 3321/18 Pt.1 T/J(396)

電話 :
Tel.
傳真 : 2824 0578
Fax.

27 November 2018



Approval of "GROHE" Sink Mixer (General Acceptance No. C20180807)

Your letter ref. WRC/1710 dated 16 April 2018 and subsequent submission received by this department on 23 July 2018 refer.

Having considered the test report ref. J21509Ar4 issued on 12 July 2018 by Nutek Systems (HK) Ltd., this Authority accepts that the fitting described below complies with, and its use when correctly installed does not contravene, the Waterworks Ordinance and Regulations.

Name of Manufacturer: Grohe AG

Country of Origin: Portugal

Brand: Grohe

Details of Fitting: 3/8" Single lever sink mixer supplied with:
1) 1 no of 407500040 plastic fabric hose (tested by Nutek Systems (HK) Limited under ref. J21700)
2) 2 nos of Neoperl GmbH – Neoflex SPX DN6 G3/8" flexible connection hoses approved by UK's WRAS under certificate no. 1506306



Model: 32553XXX
(where the digits "XXX" denote the code of colour)

Body Markings: 

Expiry Date: 23 May 2022 (for mixer + hose (1))
30 June 2020 (for hose (2))

This Authority hereby permits the use of the above fitting in fresh water plumbing systems subject to full adherence to Waterworks installation requirements. In particular, you are required to draw your customers' attention to the following requirement-

"The cold water supply to the fitting shall be drawn from the same source that supplies the hot water apparatus so as to provide a balanced pressure and to obviate the risk of scalding in the event of a restriction or failure in the water supply."

A condition of this acceptance is that the fitting to be installed shall be replicas of the sample as certified by the testing agent mentioned above and without modifications. This acceptance may be withdrawn at any time if the standard of the fitting installed fails to meet that of the approved sample or if the fitting is found to be unsuitable for use in fresh water plumbing systems.

This acceptance is only applicable to the main body of the fitting, unless other specified.

For the use of the fitting in any project, the General Acceptance Number of this letter must be quoted as a means of identification of acceptance of the fitting by this Authority.

Should you have any enquiries, please contact our Engineer Mr. Terry KUNG at tel. no. 3583 4086.

Yours faithfully,



(CHAN Chung-kun)

for Director of Water Supplies

Encl.

c.c. WSD 3321/1/82] - without catalogue
ME/MC] - with soft copy only